

Charging on-demand

## Kempower T-Series Movable Charger

Technical datasheet



The Kempower T-Series movable charger is a stand-alone solution for easily relocatable fast charging at events, depots, logistic centers, car dealerships, service shops, and similar locations. The only requirement for the plug-and-play charger is a 32 A or 63 A mains socket. The charger can have one or two charging outputs with CCS2 and CHAdeMO as the standard charging methods, but other combinations are also available. With dynamic power management, the available charging power is automatically distributed between two charging outputs. The maximum nominal charging power is 40 kW to one charging output, or 20 kW to both charging outputs simultaneously. The T500 (500 V) model is designed for electric vehicles with regular battery voltage, and the T800 (800 V) model for heavier electric vehicles with high battery voltage.

- T-Series movable charger can charge all types of electric vehicles
- Flexible and user-friendly fast-charging solution
- No installation needed but can also be installed in place by removing the wheels, if preferred
- Advanced charging control and customization options with the Kempower ChargeEye solution



1. 7" touch screen display
2. RFID reader (ISO14443A)
3. Charging plugs and holders
4. Charging status indication LEDs
5. Removable wheels
6. Mounting pad

### Product code interpretation examples: T500P40CD5BS, T800P40CD7ASC0

T500 / T800	T-Series 500 V / 800 V
P40	Charging power ( P40 = 40 kW)
CD	Charging method
5B 7A	Charging cable, 5 = 5 m, 7 = 7 m B / C = nominal charging cable current
S	User interface (S = standard interface)
C0	Unbranded, no stickers

### Nominal charging cable current

A	80 A (CCS2)
B	125 A (CHAdeMO), 150 A (CCS2)

### Charging method

C	CCS2
CC	2 x CCS2
CD	CCS2 & CHAdeMO
D	CHAdeMO

### General electric specification

Grid connection (AC)	3P+N+PE, 63 A / 32 A
Grid supply connection plug	IEC 60309
Supply cable length	5 m
Input voltage range	380...480 V <sub>AC</sub> +6%/-10%
Input frequency	50...60 Hz
Nominal Input power	57.8 kVA
Power factor (at full load)	0.92
Efficiency (at full load)	94%
Idle power	20 VA
Over voltage class	III
Rated conditional short-circuit current	25 kA
Network type	TN-S, TN-C, TN-C-S, TT

### Environmental specifications

Operating temperature	-30...+50°C
Current derating	-1.5% of max. charging current per 1°C (above +40°C)
Maximum altitude	2000 m (without altitude derating)
Altitude derating	-1.4% of max. charging current per 100 m (above 2000 m)
Storage temperature	-40...+60°C
Enclosure	IP54, IK10
Operational noise level	< 60 dB (at 1 m distance)
Ambient air humidity	< 95% relative humidity

### Connections

WiFi	802.11 b/g/n, 2.4/5 GHz
Cellular / GPS	LTE-FDD, LTE-TDD, WCDMA, GSM
Ethernet	RJ45, IEEE 802.3 / 802.3u
OCPP	1.6j / 2.0
Connectivity	Kempower ChargEye solution

## Electrical protections

Over/under voltage

---

Surge

---

Short circuit

---

Overload

---

Earth leakage current

---

Device over temperature

---

Charging cable over temperature

---

## DC charging output

### T500 (500 V)

### T800 (800 V)

DC charging plug types	CCS2, CHAdeMO	CCS2, CHAdeMO
DC cable length	5 m or 7 m	5 m or 7 m
Nominal output power at 480 V <sub>AC</sub>	40 kW (with 2 outputs : dynamic 40 kW/1st or 20 kW for both)	40 kW (with 2 outputs : dynamic 40 kW/1st or 20kW for both)
Nominal output current	2 x 63 A, 1 x 125 A	2 x 37 A, 1 x 75 A
Output voltage range	150...500 V <sub>DC</sub>	200...920 V <sub>DC</sub>

Product code	Charging outputs	Charging method	Simultaneous charging with 2 outputs	Max. continuous charging current
T...C5AS	1	CCS2	no	80 A
T...C5BS	1	CCS2	no	150 A
T...CC5AS	1	2 x CCS2	no	2 x 80 A
T...CC5BS	2	2 x CCS2	yes	2 x 150 A
T...CD5ABS	2	CCS2 & CHAdeMO	yes	80 A & 125 A
T...CD5BS	2	CCS2 & CHAdeMO	yes	150 A & 125 A
T...D5BS	1	CHAdeMO	no	125 A

Note: versions with 7 m charging cables, change 5 to 7 in the end of the product code, e.g. T500P40CD7BS

## Mechanical dimensions (WxHxD)

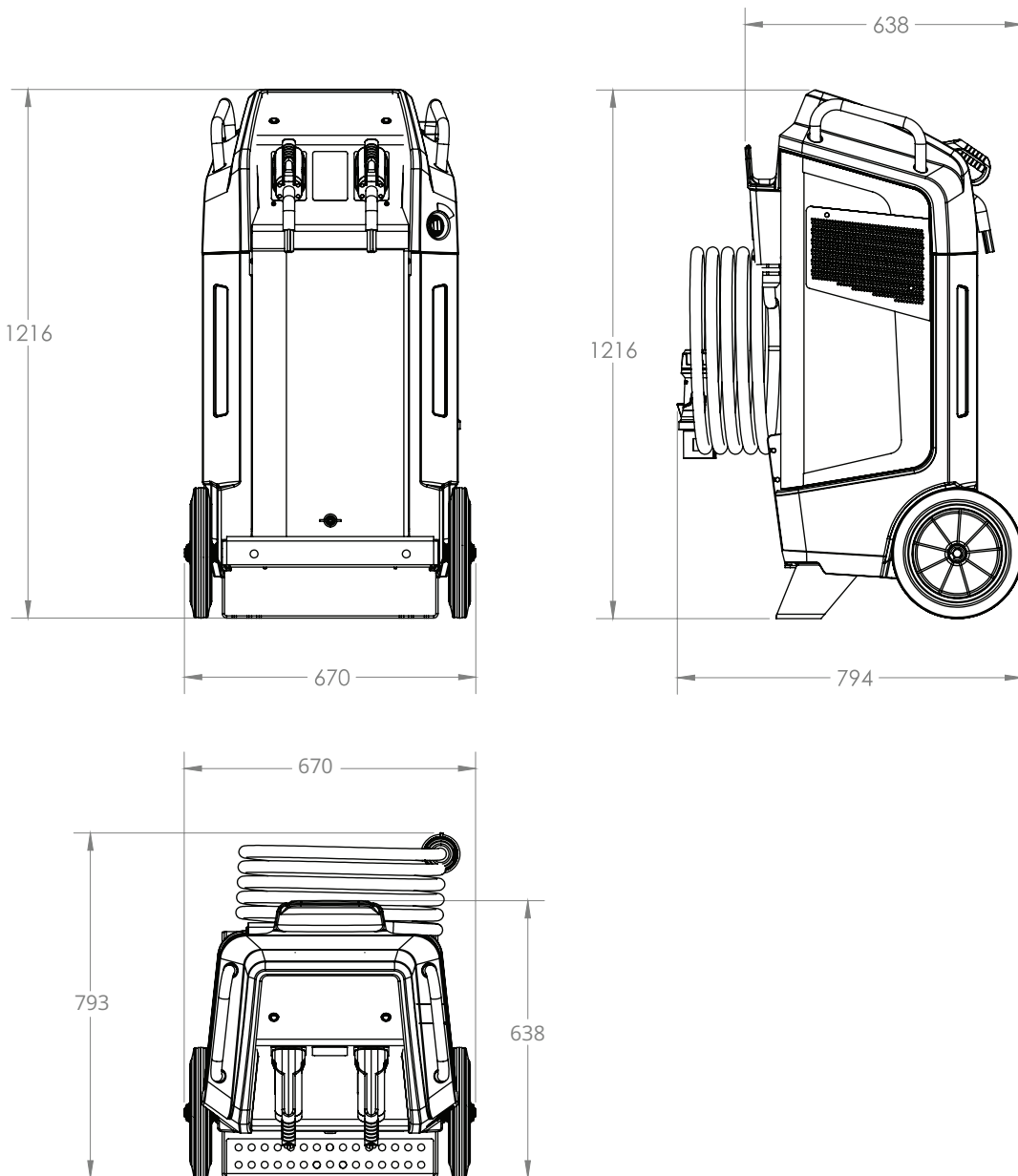
Ca. 638 x 1216 x 670 mm

---

## Weight

Ca. 140-150 kg (1 charging cable), 160-180 kg (2 charging cables)

---



**Compliance to standards**

Electrical safety IEC 61851-1, IEC 61851-23

EMC, harmonics IEC 61851-21-2

**Options (please contact Kempower for availability, pricing and MOQ)**

CCS1 charging cables & plug available upon request

Customer branding options, colors, stickers

